

MakSat GSM Repeater



GSM900/DCS1800 Dual Band Combined Repeater

Typical Application

The MAKSAT GSMA REPEATER is ideal for indoor coverage extension applied to GSM900/DCS1800 cellular communication systems.

General Description

The MAKSAT GSMA REPEATER is a GSM900/DCS1800 dual cellular band combined repeater. The MAKSAT GSMA REPEATER can boost signal up to 60dB and drive RF output power up to 27dBm per single carrier. The volume is very compact and can reduce a lot of installation space. It's a very effective and cost efficiency solution for indoor coverage application. The gain can be controlled by dip switch manually in each up-link and down-link path. To reduce system risk, there are two individual DC power supply units inside. And two power switches control each system also.

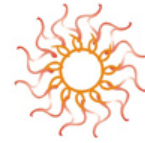


Electrical specifications:

MakSat Technologies (P) Ltd. D-10/6 Okhla Industrial Area, Ph-I, New Delhi-110020 INDIA

T: +91-11-41637854 , F: +91-11-41636364 www.maksat.com

MakSat GSM Repeater



Up Link Characteristics	Specification
Frequency Range	GSM : 890 ~ 915MHz DCS : 1710 ~ 1785MHz
Bandwidth	GSM : 25MHz DCS : 75MHz
Output Power	+27dBm*1Carriers (typ.)
Gain	60 dB typ.
Gain Flatness	$\leq \pm 2\text{dB @ GSM}$ $\leq \pm 4\text{dB @ DCS}$
Manual Attenuation	0~31dB / 1dB step
Noise Figure	$\leq 5.0\text{dB @ GSM Band}$ $\leq 7.0\text{dB @ DCS Band}$

Down Link Characteristics	Specification
Frequency Range	GSM : 935 - 960MHz DCS : 1805 ~ 1880MHz
Bandwidth	GSM : 25MHz DCS : 75MHz
Output Power	+27dBm*1Carriers (typ.)
Gain	60 dB typ.
Gain Flatness	$\leq \pm 2\text{dB @ GSM}$ $\leq \pm 4\text{dB @ DCS}$
Manual Attenuation	0~31dB / 1dB step
Noise Figure	$\leq 5.0\text{dB @ GSM Band}$ $\leq 7.0\text{dB @ DCS Band}$

System Characteristics	Specification
Maximum Input Power Without Damage	0 dBm
VSWR	
BTS Ports	< 2:1
MS Ports	< 2:1
Spurious Emissions	$\leq -36\text{dBm}(9\text{KH to}1\text{GHz})$ $\leq -30\text{dBm}(1\text{GHz to}12.75\text{GHz})$

MakSat Technologies (P) Ltd. D-10/6 Okhla Industrial Area, Ph-I, New Delhi-110020 INDIA

T: +91-11-41637854 , F: +91-11-41636364 www.maksat.com

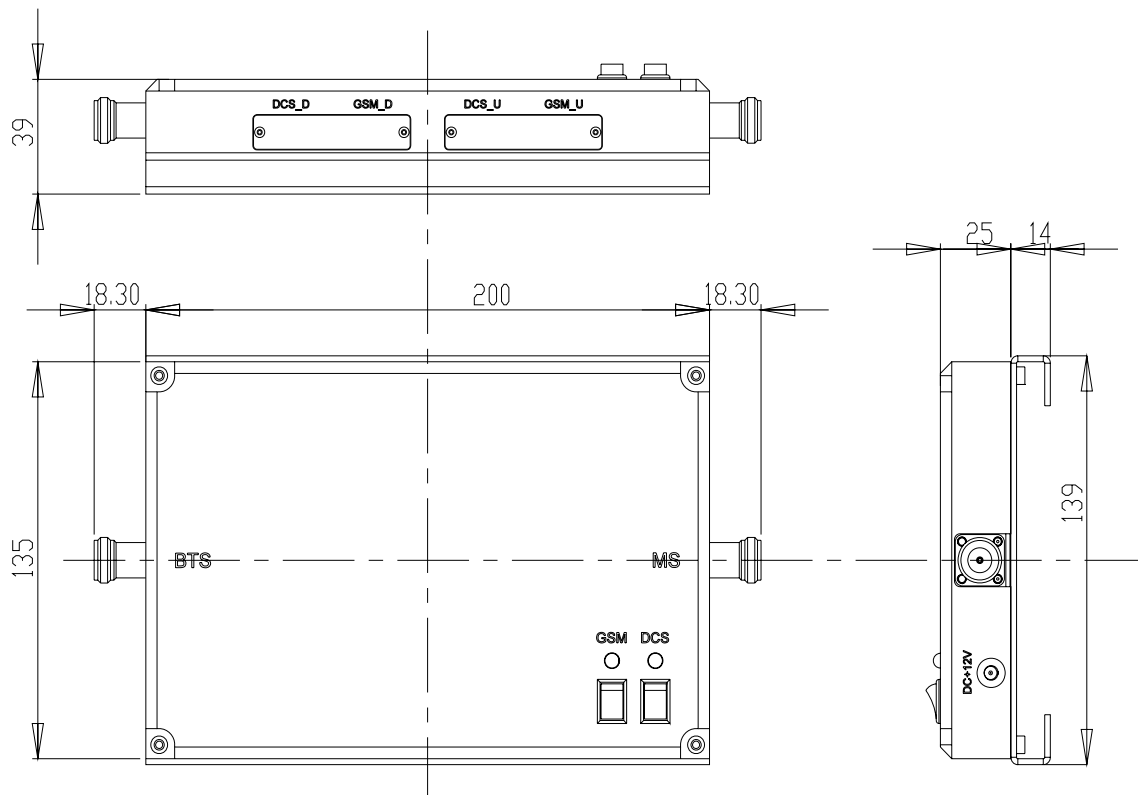
MakSat GSM Repeater



Power Supply	DC +12V
RF Connectors	N female

Environmental Characteristics	Specification
Operating Temperature Range	0°C to +55°C
Humidity	5%~95%

Dimension: (Unit:mm)



MakSat Technologies (P) Ltd. D-10/6 Okhla Industrial Area, Ph-I, New Delhi-110020 INDIA

T: +91-11-41637854 , F: +91-11-41636364 www.maksat.com